

EVERHARD SPEC PACK



PRODUCT INFO | IMAGES | DRAWINGS

PRODUCT

EI Trade 1080 RH 1.75 Bowl & Drainer

EI CODE

73192

BRAND

EI Trade



Interior
Products

Drainage
Solutions

Environmental

Civil &
Commercial

SPEC PACK EI TRADE COLLECTION

SPEC SHEET



EI TRADE 1080 RH 1.75 BOWL & DRAINER

PRODUCT CODE:

73192

FEATURES:

- / 18.5L and 11L bowl with one tap hole
 - / 304 stainless steel bowl
 - / 90mm stainless steel basket waste
- Also available in LH

OVERALL DIMENSIONS:

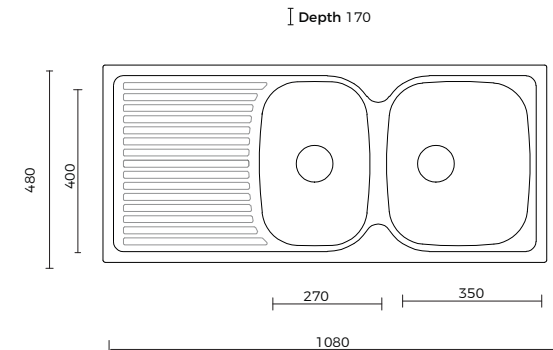
1080 L x 480 W x 170mm D

WEIGHT:

7.6kg

WARRANTY:

10 years



Disclaimer: All measurement are in millimetres and are solely for reference purposes. Colours have been reproduced with as much accuracy as possible. Any changes resulting from technical advance of design or colour may be made without prior notice. Tapware, accessories and appliances are for illustration purposes only. Further information on warranties is available at www.everhard.com.au

SPEC PACK

LAUNDRY COLLECTION

PRODUCT DRAWING

