

Product Name:
Aqua Advanced - Polymer

EI Code:
80700C

EP:
1200L/ 8EP

Dimensions:
2771 H x Ø1620

Weight:
453 Kg

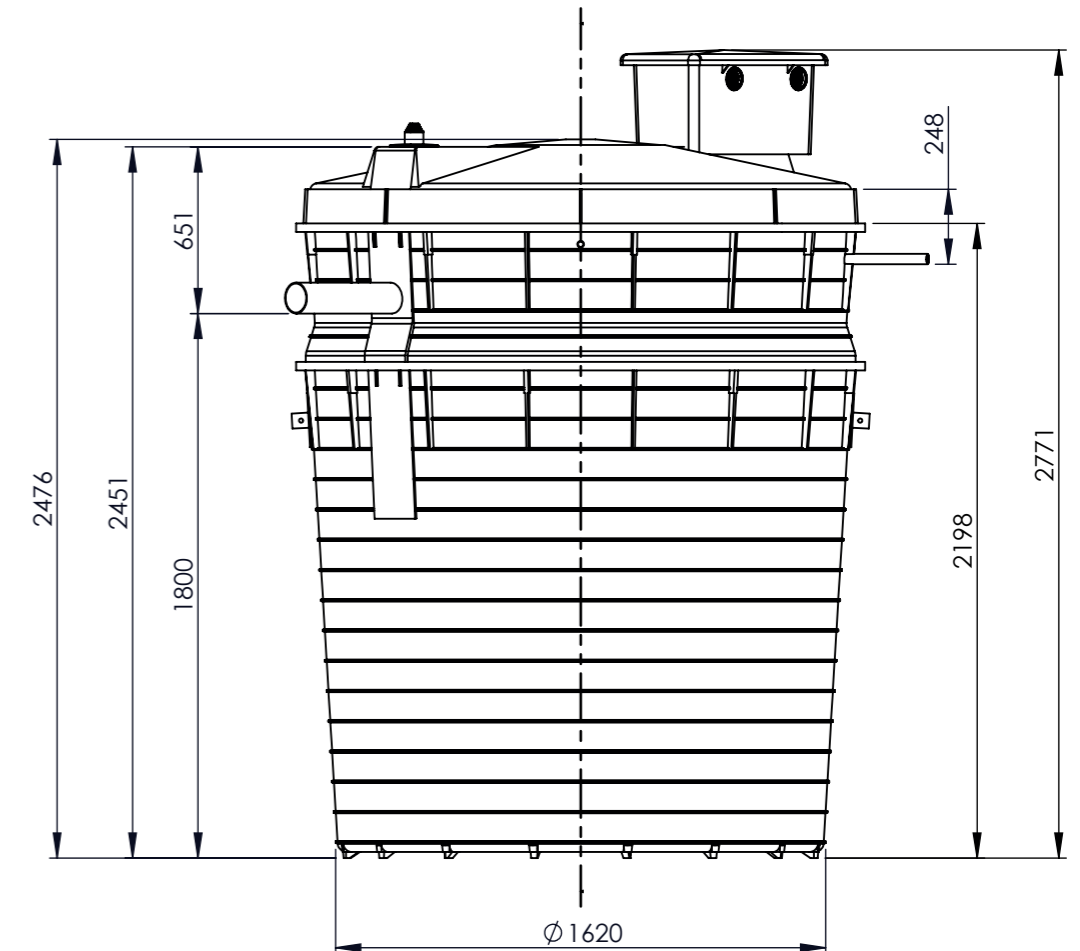
Material:
Polymer



Average Test Results & State Approvals (AS1546.3:2017):

BOD5 (mg/L)	TSS (mg/L)	E.Coli (cfu/100ml)	Vol (litres)	Pump Out Frequency (Years)
1.25	5.4	.2	4,300	3.3

State	Tank Type	CERT No.	Expiry Date
VIC	Polymer	632	28/09/2025
QLD	Polymer	02/2021	27/01/2026
NSW	Polymer	STS-AWTS053	31/12/2025
NT	Polymer	2021/3682EH	22/02/2026
SA	Polymer	WWP-20074	28/09/2025
TAS	Polymer	DOC/21/16586	17/03/2026
WA	Polymer	632	28/09/2025



FRONT VIEW

Chamber	Volume
Primary 1	714 L
Primary 2	661 L
Aeration	942 L
Clarification	671 L
Disinfection/ Irrigation	253 L
Emergency	1086 L

***** The new Aqua Advanced Plug & Play (80700C has increased in height from previous models, it is now 2771mm in height. Please ensure your transport company is aware and can accommodate this new height before pickup. *****

Disclaimer: All measurements are in millimetres and are subject to change without any prior notice. It is advised for this product to be installed by a professional contractor to ensure installation is correct. Further information is available at www.everhard.com.au