

Product Name:
Storm Catch GPT S96

EI Code:
Class B - 82341

Dimensions:
1000 H x 1113 W X 805 D

Weight:
93kg

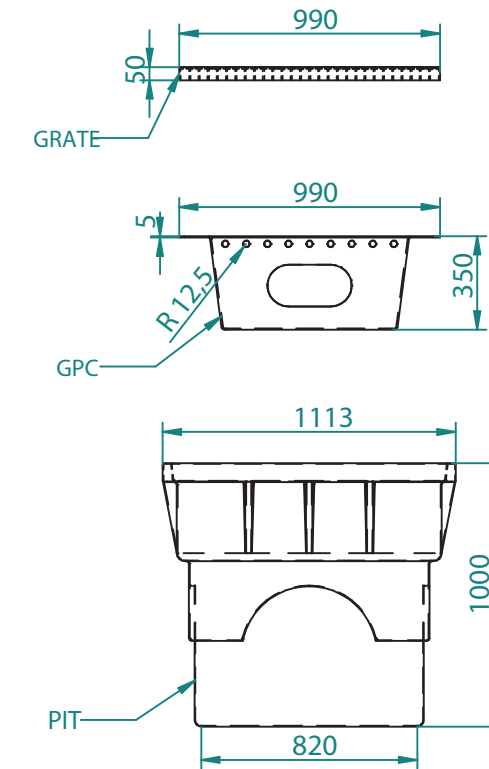
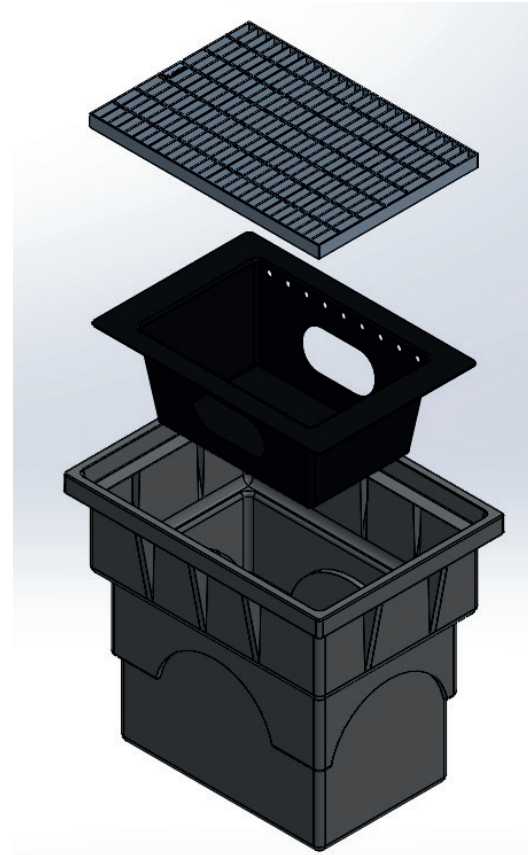
Material:
Grate - Galvanised Steel
SQID - LLDPE & Stainless Steel
Pit - LLDPE

Warranty:
10 years

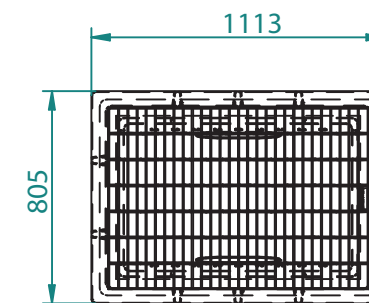
Additional Information:

Key features of the Storm Catch GPT Range:

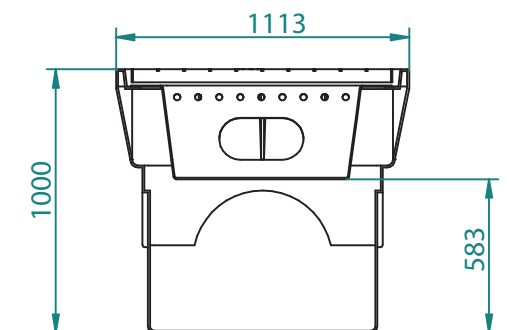
- / High Flow Rate Bypass Capabilities
- / Built with 2mm Aperture Stainless Steel Mesh
- / Storage of captured dry gross pollutants
- / Strong but lightweight pits with trafficable grates
- / Multiple Sizes to suit the requirements of the application
- / Easy and simple maintenance, removal of gross pollutants greater than 2mm at the treatable flow rate <98%
- / Simple Installation
- / Treatable flow rate 150L/sec*
- / Bypass flow rate 172L/sec*
- / Outlet pipe size up to 450mm diameter



FRONT VIEW



TOP VIEW



SECTION VIEW

Disclaimer: All measurements are in millimetres and are subject to change without any prior notice. It is advised for this product to be installed by a professional contractor to ensure installation is correct. Further information is available at www.everhard.com.au

* Flow rates do not take into consideration any flow rate loss through the grate or size of the outlet pipes