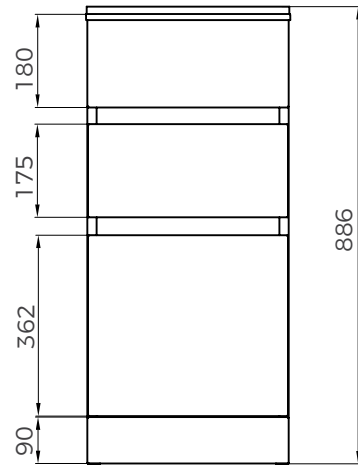
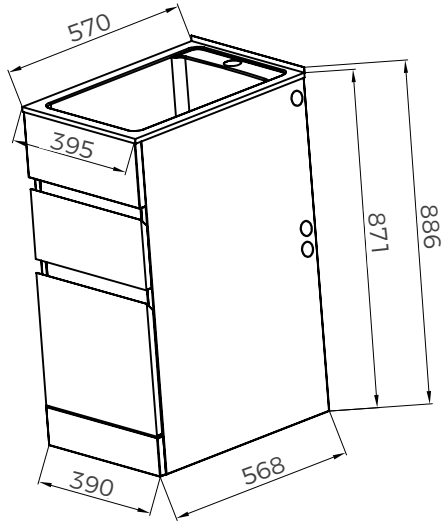
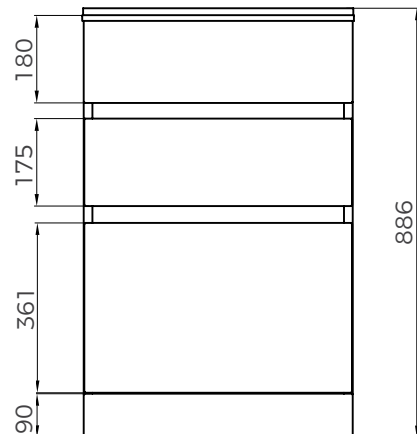
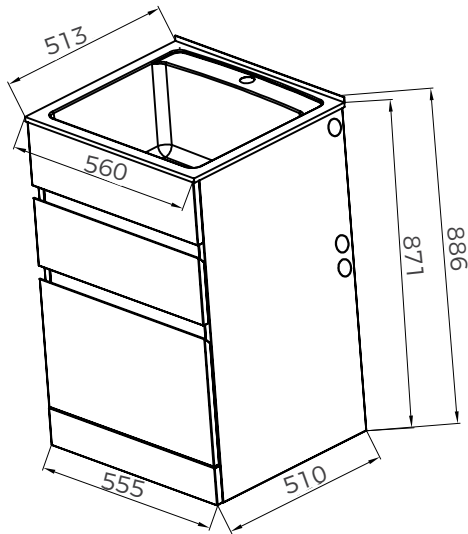




35L | EI code: 71E3510



45L | EI code: 71E4510



****PRODUCT SHOULD BE INSTALLED BY A LICENSED PLUMBER****

INSTALLING YOUR LAUNDRY UNIT

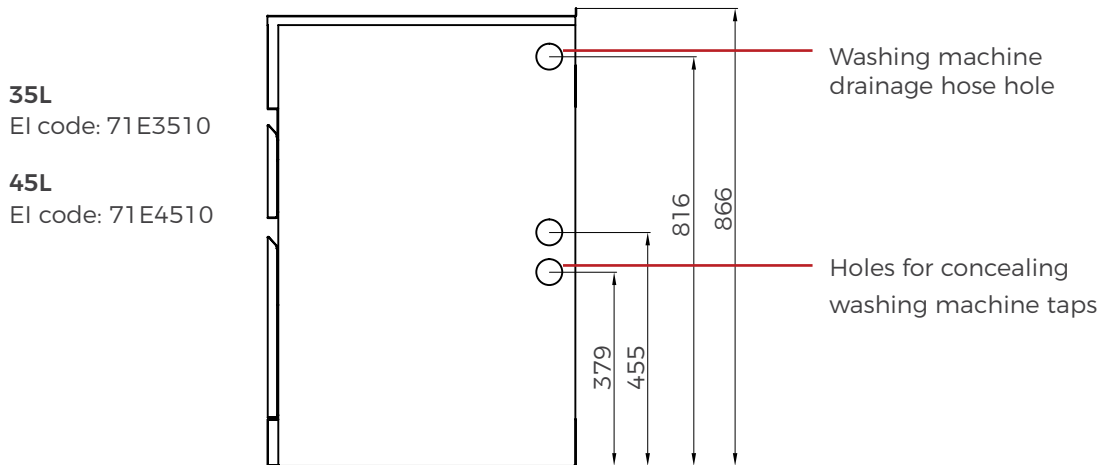
1. Carefully lift product out of the carton.
2. The laundry unit must be installed at the location of the drain (refer to Connecting the Laundry Sink to the Drain section). Check the dimensions of the area where the laundry unit will be installed to ensure it will fit within the allocated space.
3. Ensure the back wall of the area where the laundry unit will be installed is straight and level.
4. Carefully remove the laundry sink from the unit using protective gloves and set aside.
5. Install the basket waste onto the sink. The basket waste is a two part waste, therefore the screw within the middle of the waste needs to be removed before installing the waste onto the sink. Insert the top part of the waste including the thin black rubber seal into the waste hole of the sink. From underneath install the bottom part of the basket waste including the thick black rubber onto the waste hole. Screw the stainless steel threaded screw through the top part of the basket waste into the bottom part of the basket waste and tighten using a screwdriver.

6. Ensure the laundry unit is installed level by using a spirit level across the top of the unit.
7. Using two screws or wall anchors, fasten the laundry unit to the wall by drilling two holes into the top bracket approx 300mm centres and insert fastening screws (M6) or wall anchors to secure the unit to the finished wall.

WASHING MACHINE DRAINAGE HOSE CONNECTION

CONCEALED CONNECTION

1. Remove the waste junction from the packaging and drill the inside component from the 25mm side connection on the junction using a 15mm drill bit.
2. Install the waste junction onto the bottom of the basket waste and tighten by hand.
3. Feed the washing machine hose through the top hole located on the side of the unit adjacent to the washing machine and connect to the 25mm drilled out connection on the waste junction. Using a stainless steel clamp, tighten the clamp onto the washing machine drainage hose connection on the waste junction using a screwdriver.



CONNECTING THE LAUNDRY SINK TO THE DRAIN

1. Locate the current waste installed in your home, this could be coming through the floor or through the wall.
2. If through the floor, you may require to offset the 50mm waste pipe towards the back of the unit. Underneath the bottom drawer there is a 100mm space. The drainage pipe can be installed underneath the bottom of the drawer using 50mm Spigot to Socket 88 Degree PVC elbow.
3. Remove the drawers from the unit by pressing down the black lever on the front of the drawer runner to disengage the drawer (refer to Removing Drawer instructions below).
4. Using 50mm DWV pipe, connect the existing drainage pipe using approved plumbing fittings to an approved 50mm PVC Trap. The 50mm PVC Trap is installed onto the bottom of the waste junction. Tighten by hand.
5. Ensure the 50mm Trap has clearance around the bottom drawer so the drawer can slide outwards.
6. Reinstall the drawers onto the drawer runners (refer to Inserting Drawers instructions).
7. Test and ensure there are no leaks.

INSTALLING THE TAPWARE

1. Carefully remove the laundry sink from the laundry unit using protective gloves.
2. Install your chosen tapware onto the sink using the supplied tap bracket and seals. Follow the manufacturer's instructions on how to install the tapware.
3. Once the tapware is installed, place the laundry sink onto the laundry unit. Seal the top edge of the unit using a suitable sealant prior to placing the laundry sink onto the unit.

REMOVING DRAWERS

1. On the left runner, push the lever down.
2. On the right runner, push the lever up.
3. Pull the drawer out of the runner.

Left runner



Right runner



INSERTING DRAWERS

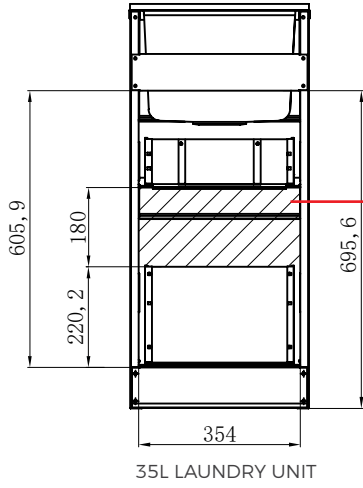
1. Push the runner back in place, keep the ball bearing always at the front part of the runner.
2. Put the drawer back on the runner. Ensure the rails of the drawer are inserted into the runner in the correct way.
3. If there are any obstacles when inserting the drawer, pull the drawer gently out and redo step 2 again.

Take the drawer and go to the runner

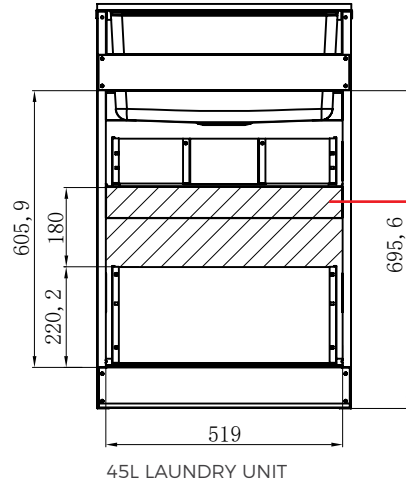


push into runner



POSITIONING OF HOT AND COLD WATER PLUMBING CONNECTIONS

35L LAUNDRY UNIT

Ideal location
for hot and
cold plumbing
connections

45L LAUNDRY UNIT

Ideal location
for hot and
cold plumbing
connections

CARING FOR STAINLESS STEEL



To assist in maintaining and extending the life of your new Everhard Stainless Steel sink we have compiled a list of important tips on how we recommend you look after it



DO



ROUTINE

Clean your stainless steel bowl or sink on a regular basis using bicarb soda or stainless steel cleaner. This will improve the look of your stainless steel bowl or sink.



RINSE

After use, rinse your stainless steel bowl or sink thoroughly with clean water to remove any chemicals, iron deposits or acids on the surface.



DRY

Wipe your stainless steel bowl or sink dry using a dry cloth after every use to keep the stainless steel fresh and spot free.



DON'T



ACIDS + CLEANERS

Fruit juice contains citric acid which can mark the stainless steel if left to dry. Cleaning chemicals used around the home can contain chloride which can cause surface rust on the stainless steel bowl or sink if left to dry. Remove all juices and chemicals left on the surface with clean water and dry the surface with a soft cloth.



FUMES

Storing chemicals such as chlorine, bleach or acid based products underneath your stainless steel bowl or sink will cause the surface to rust rapidly due to the fumes attacking the surface. Remove these products and store them in a different area of your home.



SOAKING

Avoid leaving damp sponges or cloths inside the bowl or around the edge of your sink when not in use. Over time this can cause the surface to become pitted if not cleaned properly.