

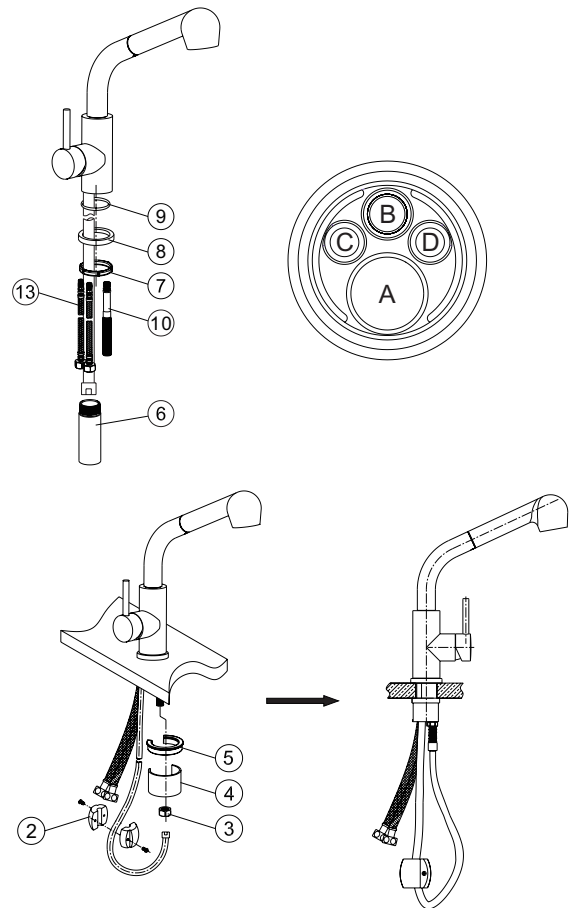
EXCELLENCE GOOSENECK SS PULL OUT SPRAY SINK MIXER PRODUCT 78E0001

Pre-Installation

- Before installation, please ensure that the following work conditions are adhered to:
 - Water temperature between 4°C - 50°C.
 - Water pressure between 50kpa - 500kpa. Pressure reducing valve is necessary if pressure exceeds 500kpa.
 - Avoid major pressure differences between hot and cold water supply.
- Flush pipes thoroughly before and after installation to ensure water supply is free of any debris.
- Inspect tap fitting. Do not attempt to disassemble fitting on your own.
- Use thread sealant tape (PTFE) on any screw-joining connections and ensure all joints are securely tightened.

Installation

- Slide the rubber O-ring (9), base (8), rubber (7) up to the base of tap.
- Install the plastic cover (6) to the A hole under the base of the tap, and the connecting pipe (10) to the B hole and 2 flexible hoses (13) to C and D.
- Place the tap through the tap hole.
- Place the skid-proof rubber (5) and the fixing sheet through the connecting pipe and close to the (4) sink or worktop.
- Tighten the nut (3), making sure the tap is stable.
- Connect the pull-out pipe to the connecting pipe (10).
- Place the weighting ball 10cm up the lowest point of the pull-out hose.



Cleaning Recommendations

- Tap should be cleaned with a soft cloth. Avoid abrasive materials such as steel wool or scourers.
- Do not use any corrosive or abrasive cleaning agents containing acid or scouring agents.

National Warranty Hotline: 07 5596 1833

This installation is only intended as a guide. Any installation inconsistencies or doubts should be checked with a certified plumber. Specification is subject to change without notice.