

# SPEC PACK BATHROOM COLLECTION

## SPEC SHEET



## NUGLEAM 1TH RECTANGLE SEMI RECESS BASIN

### PRODUCT CODE:

74N0002

### FEATURES:

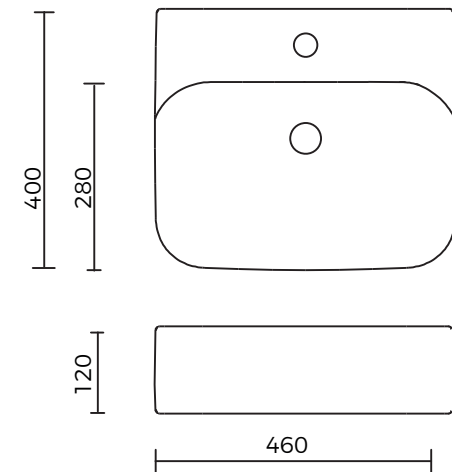
- / Above counter basin
- / Round chrome overflow included
- / Made from vitreous china
- / 3.5L capacity

### OVERALL DIMENSIONS:

460 L x 400 W x 120mm H

### WARRANTY:

5 years replacement only  
1 year replacement warranty on plug  
and waste



Disclaimer: All measurement are in millimetres and are solely for reference purposes. Colours have been reproduced with as much accuracy as possible. Any changes resulting from technical advance of design or colour may be made without prior notice. Tapware, accessories and appliances are for illustration purposes only. Further information on warranties is available at [www.everhard.com.au](http://www.everhard.com.au)

# SPEC PACK BATHROOM COLLECTION

## PRODUCT DRAWING

