



NUGLEAM 35L & 45L DRAWER SYSTEM LAUNDRY UNIT

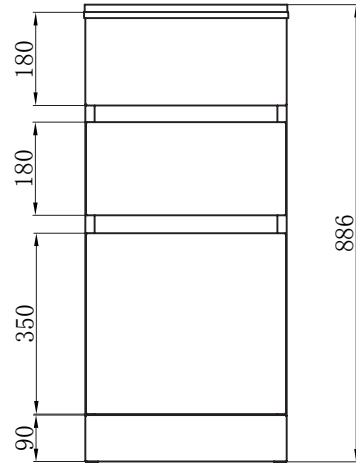
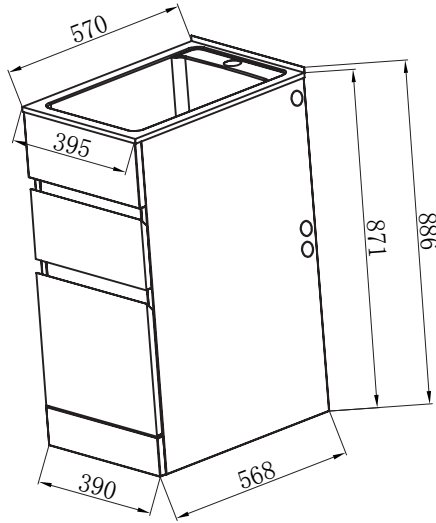
INSTALLATION & CARE INSTRUCTIONS

35L | EI code: 71S02D

DRAWER LOAD CAPACITY:

TOP DRAWER:
Max 10kg

BOTTOM DRAWER:
Max 25kg

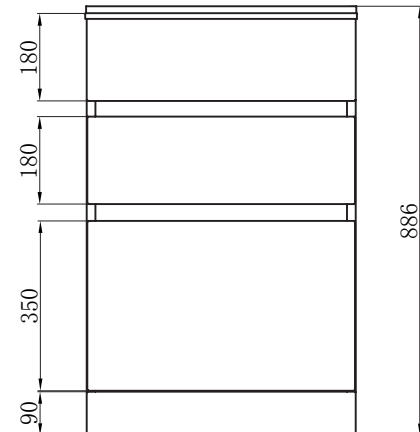
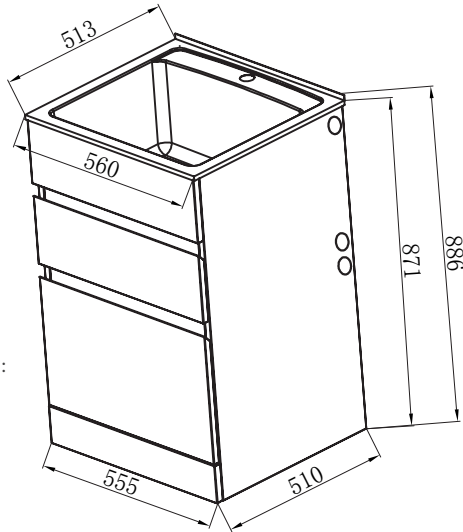


45L | EI code: 71S01D

DRAWER LOAD CAPACITY:

TOP DRAWER:
Max 10kg

BOTTOM DRAWER:
Max 25kg



INSTALLING YOUR LAUNDRY UNIT

1. Carefully lift product out of the carton
2. The laundry unit must be installed at the location of the drain (refer to Connecting the Laundry Sink to the Drain section). Check the dimensions of the area where the laundry unit will be installed to ensure it will fit within the allocated space
3. Ensure the back wall of the area where the laundry unit will be installed is straight and level
4. Carefully remove the laundry sink from the unit using protective gloves and set aside
5. Install the basket waste onto the sink. The basket waste is a two part waste, therefore the screw within the middle of the waste needs to be removed before installing the waste onto the sink. Insert the top part of the waste including the thin black rubber seal into the waste hole of the sink. From underneath install the bottom part of the basket waste including the thick black rubber onto the waste hole. Screw the stainless steel threaded screw through the top part of the basket waste into the bottom part of the basket waste and tighten using a screwdriver
6. Ensure the laundry unit is installed level by using a spirit level across the top of the unit. If the floor is not level we recommend using the optional adjustable feet which can be purchased separately

7. To open drawers, pull from the centre of the drawer
8. Using two screws or wall anchors, fasten the laundry unit to the wall by drilling two holes into the top bracket approx 300mm centres and insert fastening screws (M6) or wall anchors to secure the unit to the finished wall

WASHING MACHINE DRAINAGE HOSE CONNECTION

CONCEALED CONNECTION

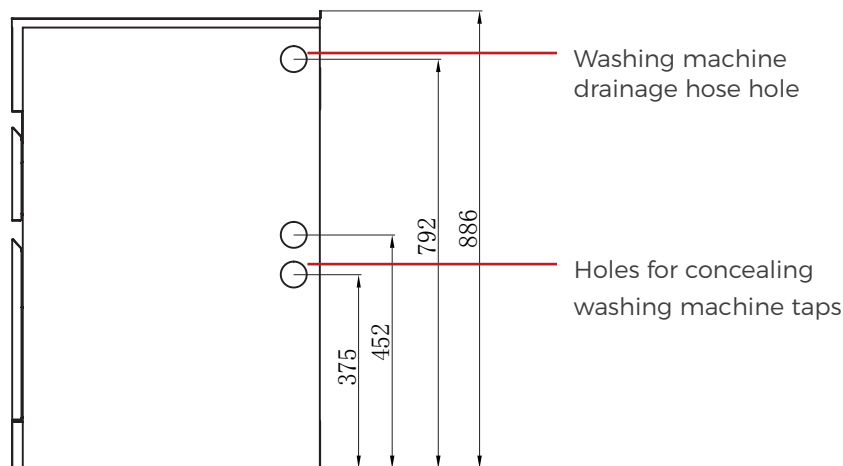
1. Remove the waste junction from the packaging and drill the inside component from the 25mm side connection on the junction using a "15mm " drill bit
2. Install the waste junction onto the bottom of the basket waste and tighten by hand
3. Feed the washing machine hose through the top hole located on the side of the unit adjacent to the washing machine and connect to the 25mm drilled out connection on the waste junction. Using a stainless steel clamp, tighten the clamp onto the washing machine drainage hose connection on the waste junction using a screwdriver

35L

El code: 71S02D

45L

El code: 71S01D



CONNECTING THE LAUNDRY SINK TO THE DRAIN

1. Locate the current waste installed in your home, this could be coming through the floor or through the wall
2. If through the floor, you may require to offset the 50mm waste pipe towards the back of the unit. Underneath the bottom drawer there is a 100mm space. The drainage pipe can be installed underneath the bottom of the drawer using 50mm Spigot to Socket 88 Degree PVC elbow
3. Remove the drawers from the unit by pressing down the black lever on the front of the drawer runner to disengage the drawer (refer to Removing Drawer instructions below)
4. Using 50mm DWV pipe, connect the existing drainage pipe using approved plumbing fittings to an approved 50mm PVC Trap. The 50mm PVC Trap is installed onto the bottom of the waste junction. Tighten by hand
5. Ensure the 50mm Trap has clearance around the bottom drawer so the drawer can slide outwards
6. Reinstall the drawers onto the drawer runners (refer to Inserting Drawers instructions)
7. Test and ensure there are no leaks

INSTALLING THE TAPWARE

1. Carefully remove the laundry sink from the laundry unit using protective gloves
2. Install your chosen tapware onto the sink using the supplied tap bracket and seals. Follow the manufacturer's instructions on how to install the tapware
3. Once the tapware is installed, place the laundry sink onto the laundry unit. Seal the top edge of the unit using a suitable sealant prior to placing the laundry sink onto the unit

ADJUSTABLE FEET INSTALLATION (OPTIONAL)

Adjustable Feet can be installed onto the Nugleam Drawer System Laundry Unit by using the Everhard Adjustable Feet (97943). Remove the nut and washer from the thread of the adjustable feet and insert the threaded component through the four holes located on the base of the laundry unit.

Place the washer and nut onto the threaded rod of the adjustable feet on the inside of the base of the unit and tighten. Adjust the feet to the desired height of the installation.

REMOVING DRAWERS

1. On the left runner, pull the black level down
2. On the right runner, pull the black level up
3. Pull the drawer out of the runner

Left runner



Right runner



INSERTING DRAWERS

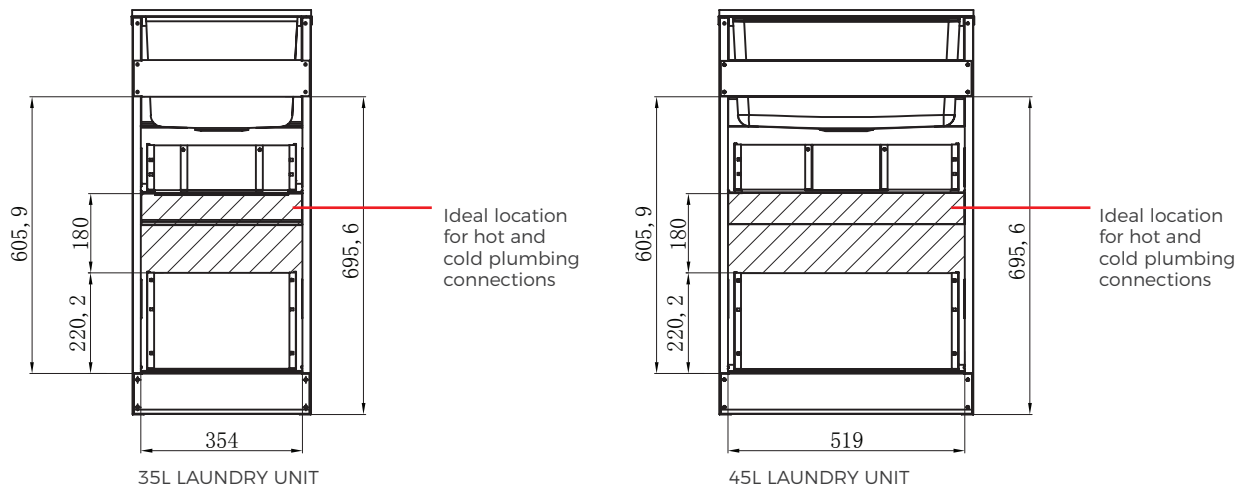
1. Push the runner back in place, keep the ball bearing always at the front part of the runner (see below photo 1)
2. Put the drawer back on the runner. Ensure the rails of the drawer are inserted into the runner in the correct way (see below photo 2)
3. If there are any obstacles when inserting the drawer, pull the drawer gently out and redo step 2 again

Photo 1



Photo 2



POSITIONING OF HOT AND COLD WATER PLUMBING CONNECTIONS

CARING FOR YOUR LAUNDRY UNIT AND LAUNDRY SINK (STAINLESS STEEL)
ROUTINE

Clean your laundry sink on a regular basis using bicarb soda or stainless steel cleaner. This will improve the look of your laundry sink

ACIDS + CLEANERS

Cleaning chemicals used around the home can contain chloride which can cause surface rust on the laundry sink. Remove all chemicals left on the surface with clean water and dry the surface with a soft cloth

RINSE

After use, rinse your laundry sink thoroughly with clean water to remove any chemicals, iron deposits or acids on the surface

FUMES

Storing chemicals such as chlorine, bleach or acid based products underneath your laundry sink will cause the surface to rust rapidly due to the fumes attacking the surface. Always use air tight and sealed containers

DRY

Wipe your laundry sink dry using a dry cloth after every use to keep the stainless steel fresh and spot free

SOAKING

Avoid leaving damp sponges or cloths inside the laundry sink or around the edge of your sink when not in use. Over time this can cause the surface to become pitted if not cleaned properly

For further assistance, please call us on **131 926**