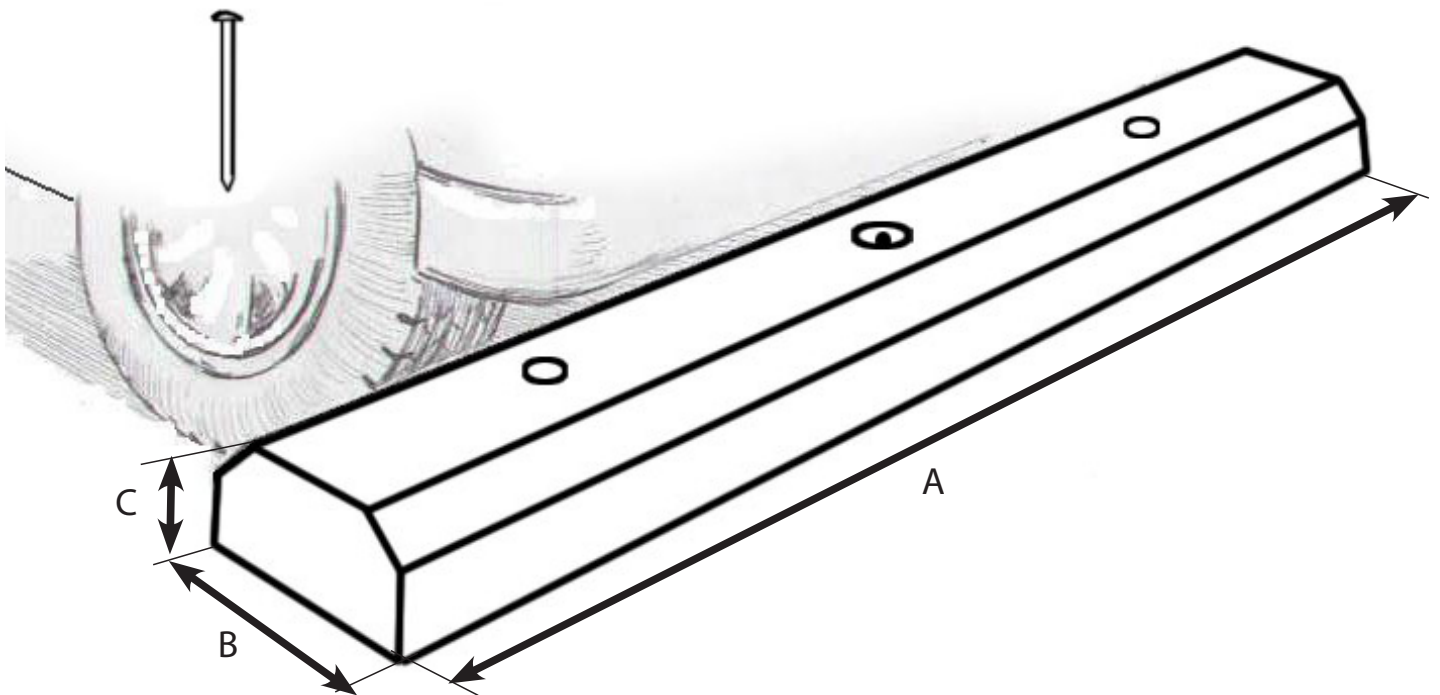


Wheel Stops

EVERHARD's steel-reinforced pre-cast concrete 1.65 metre Wheel Stops (61104) meet Australian Standard AS2890.1:2004 for on-street parking. These are fitted with a single "Swift-Lift" type of lifting anchor and are designed to be secured with two spikes or bolts.

We also supply 2 metre Wheel Stops (61101) which complied with the previous standard and can be used in situations where compliance with the current standard is not required.



Product Code	Description	Weight Kg	Dimensions (mm)		
			A	B	C
61104	1.65m Concrete Car Wheel Stop	65	1650	200	95
61101	2m Concrete Car Wheel Stop	85	2000	200	95
84964	GMS spike (2 required per wheel stop)	1			