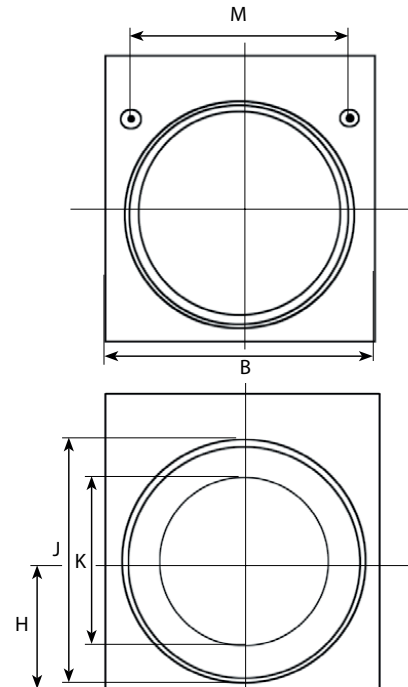
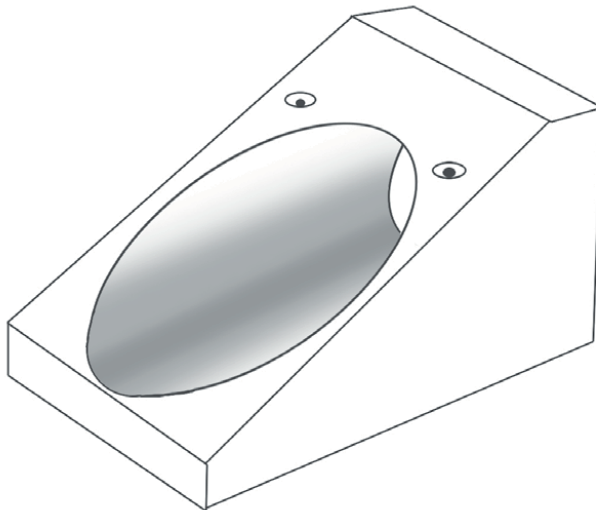
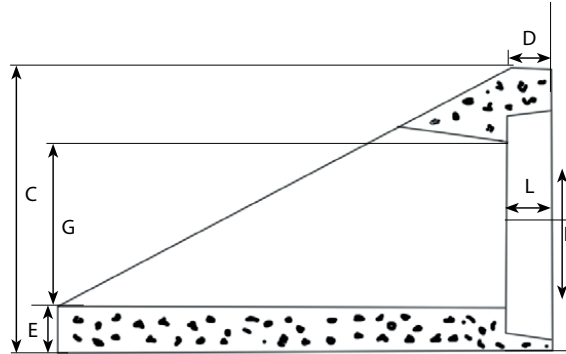


EVERHARD Safe-Slope Headwalls provide a constant sloped front to permit the contact face to be blended into embankments. This helps to protect vehicles and slashers from damage caused by falling into the space produced by the vertical face of standard Winged and Apron front Headwalls.

The table shows detailed dimensions for the range of Safe-Slope Head Walls. Each type has the same sized opening in the sloped front face, tapering back to the rear. The tapered socket in the rear is different for each pipe, which allows varying diameters of pipes to be inserted from the rear and set with the invert of the pipe level. When packed and sealed with mortar or suitable compounds, this allows free draining in either direction. Pipes with thinner walls than the design standard may be supported with mass concrete.

The connection into the socket should be sealed to prevent erosion of the backfill by stormwater.



**J** - maximum pipe o.d.

**K** - pipe NB

Product Code	Description	Weight Kg	Dimensions (mm)												
			Nom Pipe	A	B	C	D	E	F	G	H	J	K	L	M
64015	Sloped headwall (DMR style) suit RCP 300	580	300	1200	650	775	90	124	349	450 $\emptyset$	274	400	300	100	550
64016	Sloped headwall (DMR style) suit RCP 375	560	375	1200	650	775	90	124	349	450 $\emptyset$	311	476	375	100	550
64017	Sloped headwall (DMR style) suit RCP 450	545	450	1200	650	775	90	124	349	450 $\emptyset$	349	580	450	100	550
Maroochy Shire Precast Concrete Headwall (tombstone) to suit RCP 300 and RCP 375 also available. Refer to pricelist.															