

SPEC PACK BATHROOM COLLECTION

SPEC SHEET



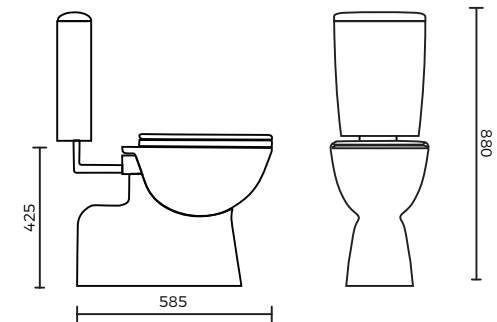
CLASSIC CONNECTOR S TRAP TOILET SUITE

PRODUCT CODE:

75556

FEATURES:

- / Full vitreous china suite
- / Boxed rim flush wall faced pan
- / Soft closing & quick release seat
- / Polypropylene seat and lid, chrome dual flush button
- / Bottom inlet RH/LH or back inlet
- / WELS 4 star rated, 4/5/3L



OVERALL DIMENSIONS:

585 W x 880mm H

WARRANTY:

- 5 years on cistern and pan
- 1 year on internals and rubber fittings

Disclaimer: All measurement are in millimetres and are solely for reference purposes. Colours have been reproduced with as much accuracy as possible. Any changes resulting from technical advance of design or colour may be made without prior notice. Tapware, accessories and appliances are for illustration purposes only. Further information on warranties is available at www.everhard.com.au

SPEC PACK BATHROOM COLLECTION

PRODUCT DRAWING

