



900 x 900



900 x 600

Our Extra Large Polymer Stormwater pits are made in Australia from 100% recycled UV stabilised polymer. Available in 900 x 900 x 960H and 900 x 600 x 960H sizes.

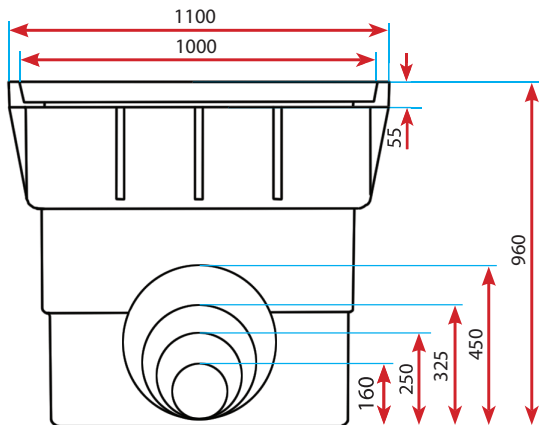
- Solid, durable UV stabilised polymer with exceptional weight to strength ratio
- Cost-effective, Light Weight, Easy to Install
- No penetration restrictions on holes for electrical or data
- Holes can be cut using a jig saw or hole saw
- Lifting and tie down points are built into the pits for easy installation
- Accommodate up to 450mm pipe penetration
- Class B grates are available to suit your pit
- Australian made and owned polymer product

900 x 900 Stormwater Pit with Class B Grate

EI Code | 97980

900 x 600 Stormwater Pit with Class B Grate

EI Code | 97981

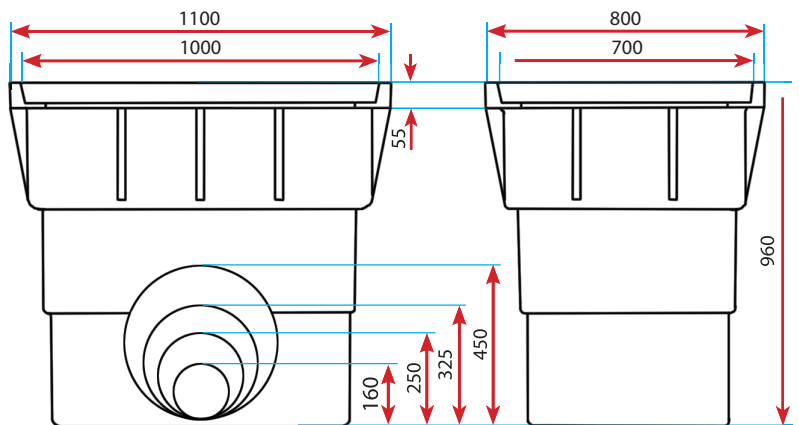


900 x 900 Stormwater Pit

Code: 97965 Weight: 43kg

900 x 900 Class B Grate

Code: 15146
Weight: 74kg



900 x 600 Stormwater Pit

Code: 97967 Weight: 30kg

900 x 600 Class B Grate

Code: 15145
Weight: 55kg

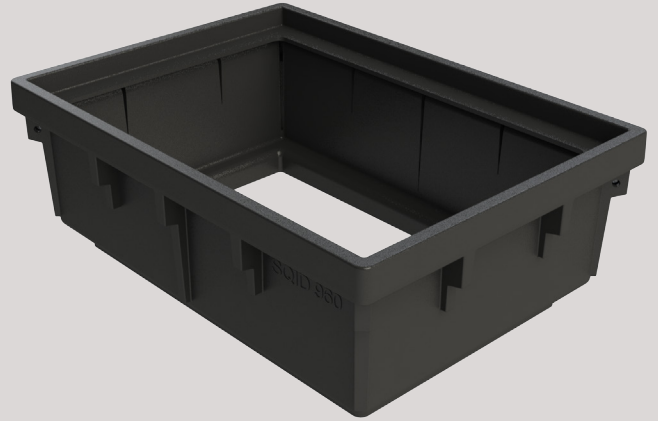


Extra Large Polymer Stormwater Pit Risers

SPECIFICATION SHEET



900 x 900



900 x 600

Our Extra Large Polymer Stormwater pit risers are made to increase the depth of the Polymer Stormwater pit. Available in 900 x 900 and 900 x 600 sizes.

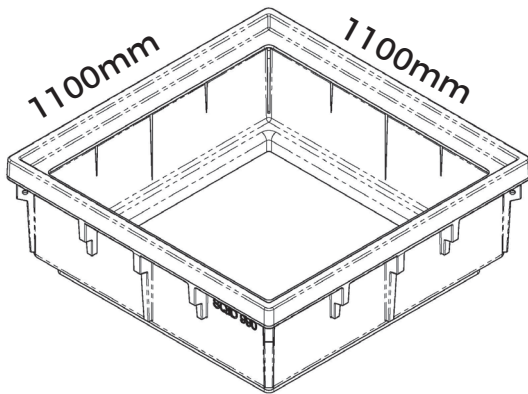
- Made from 100% recycled UV stabilised polymer
- Australian made and owned polymer product
- Light Weight, Easy to Install

900 x 900 Stormwater Pit Riser

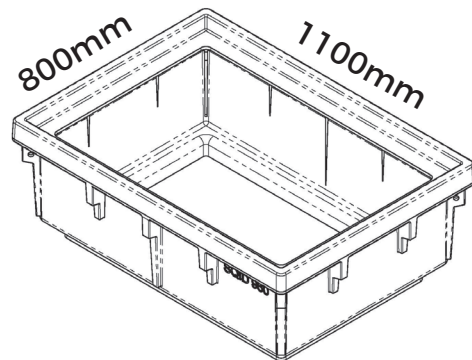
EI Code | 97966

900 x 600 Stormwater Pit Riser

EI Code | 97968



Weight | 35kg



Weight | 21kg