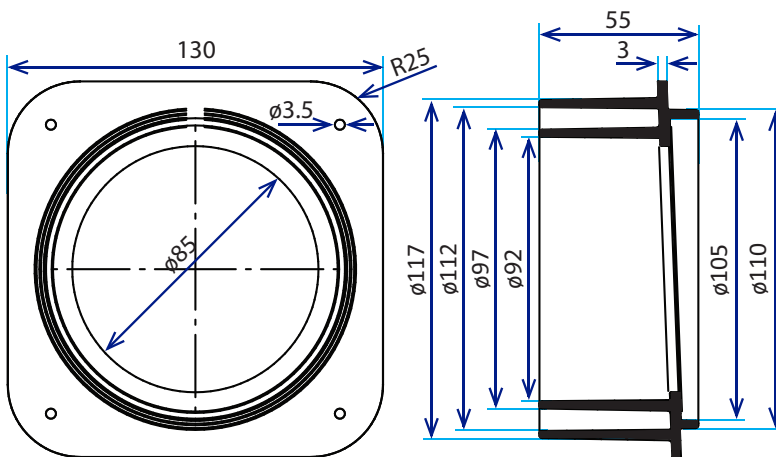


The EasyDRAIN™ Pit Boss provides a secure and easy connection between Everhard's range of polymer rainwater and stormwater pits and uPVC pipe.

Made from ABS material, the EasyDRAIN™ Pit Boss can be secured to the wall of either the rainwater pit, Series 300, 450 and 600 Stormwater Pits using a suitable adhesive and stainless steel screws. Once installed, 90mm or 100mm uPVC pipe can be connected and sealed using plumber's solvent cement, providing a secure, water tight seal between the stormwater pit and the stormwater pipe, eliminating issues of pipe separation caused by subsidence and poor pipe connections.



Rear View

Side View

Product Code	Description	Weight Kg
80080	Pit Boss uPVC Pipe to Stormwater Pit Connector	1.0

Installation Guideline

1. Choose the Everhard rainwater/stormwater pit that is suitable for your project.
2. Identify the location for the rainwater/stormwater pit and dig a hole to suit the pit.
3. Mark the location on the rainwater/stormwater pit where the stormwater pipe will connect to the pit. Use a 110mm hole saw if connecting to Everhard's Rainwater Pit and Series 300 Stormwater Pit or a 121mm hole saw if using a series 450 or Series 600 Stormwater Pit.
4. The Pit Boss can be connected to the outside of the Everhard Rainwater Pit and Series 300 Stormwater Pit and pushed through the hole from the inside of the Series 450 and 600 Stormwater Pits.
5. Use a suitable sealant/adhesive (e.g. Sikaflex 11FC or Sikaflex 221) on the plate of the EasyDRAIN™ Pit Boss and insert the back outlet of the EasyDRAIN™ Pit Boss into the cut out hole. Fix the EasyDRAIN™ Pit Boss to the rainwater/stormwater pit by using four self tapping stainless steel screws (not included) through the four holes provided in the EasyDRAIN™ Pit Boss.
6. Using plumber's priming fluid, ensure the inside connection of the EasyDRAIN™ Pit Boss and either the 90mm or 100/110mm uPVC pipe surface is cleaned thoroughly. To connect either 90mm or 100/110mm uPVC pipe to the EasyDRAIN™ Pit Boss, place plumber's solvent cement on the inside connection of the EasyDRAIN™ Pit Boss and the outside of the uPVC pipe.
7. Hold in place for 10 seconds to enable a secure connection and allow for the solvent cement to hold.
8. Backfill around the rainwater/stormwater pit.
9. Place the grate into the pit for completion.

