

Concrete Field Gully Pits

SPEC PACK

Concrete Field Gully Pits

Some situations do require the use of conventional pre-cast reinforced Concrete Pits, and the Everhard products still remain popular with designers and installation contractors because of their proven strength, reliable dimensional accuracy and flexibility - especially with the newly designed church door knock out ports.

These sections only need to be punched out with simple hand tools to allow pipes to be fitted and customise to the size needed. The joint is supported by a support collar poured around the outside of the pit, it can also be sealed with a suitable silicone based sealant material around the pipe inside of the pit.

A number of pit sizes and risers are available for a variety of purposes. A range of galvanised steel grates and covers are also available to suit most domestic and light industrial or commercial site applications. Where pits are exposed to heavier traffic, cast-iron framed Class D covers or grates may be used.



EI CODE	PRODUCT DESCRIPTION	KNOCK OUT OPENING SML	KNOCK OUT OPENING LG	INNER SIZE	OUTER SIZE	DEPTH
21122	Concrete Field Gully Pit - 450	350 X 290	350 X 350	450 x 450	550 x 550	510
21149	150 riser for Concrete Field Gully Pit - 21122			450 x 450	550 x 550	150
21150	300 riser for Concrete Field Gully Pit - 21122			450 x 450	550 x 550	300
21119	Concrete Field Gully Pit - 600	450 x 375	450 x 450	600 x 600	700 x 700	660
21139	150 riser for Concrete Field Gully Pit - 21119			600 x 600	700 x 700	150
21140	300 riser for Concrete Field Gully Pit - 21119			600 x 600	700 x 700	300
21145	600 riser for Concrete Field Gully Pit - 21119			600 x 600	700 x 700	600
21127	Concrete Field Gully Pit - 900 x 600 x 600	450 x 375	750 x 450	900 x 600	1000 x 700	600
21126	Concrete Field Gully Pit - 900 x 600 x 900	450 x 450	725 x 735	900 x 600	1000 x 700	900
21173	150 riser for Concrete Field Gully Pit - 21127 & 21126			900 x 600	1000 x 700	150
21129	300 riser for Concrete Field Gully Pit - 21127 & 21126			900 x 600	1000 x 700	300
21134	600 riser for Concrete Field Gully Pit - 21127 & 21126			900 x 600	1000 x 700	600
21123	Concrete Field Gully Pit - 900 x 900 x 900	645 x 665	725 x 735	915 x 915	1045 x 1045	970
21174	150 riser for Concrete Field Gully Pit - 900 x 900 x 900			915 x 915	1045 x 1045	150
21151	300 riser for Concrete Field Gully Pit - 21123			915 x 915	1045 x 1045	300
21153	600 riser for Concrete Field Gully Pit - 21123			915 x 915	1045 x 1045	600

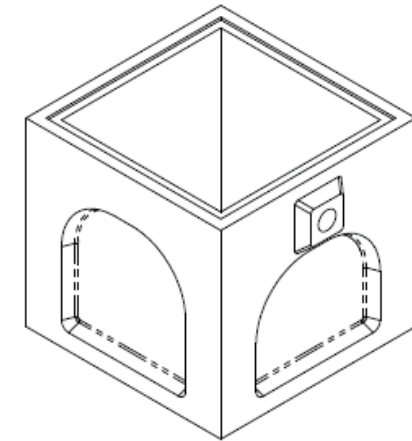
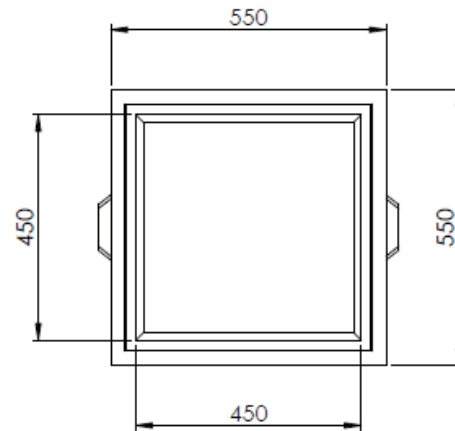
Concrete Field Gully Pits

SPEC PACK

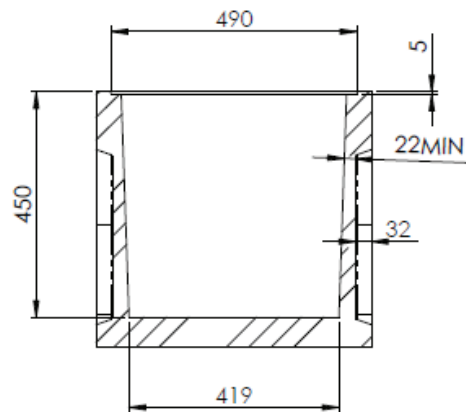
Concrete Field Gully Pits - 450 Specification Drawings

NOTES:

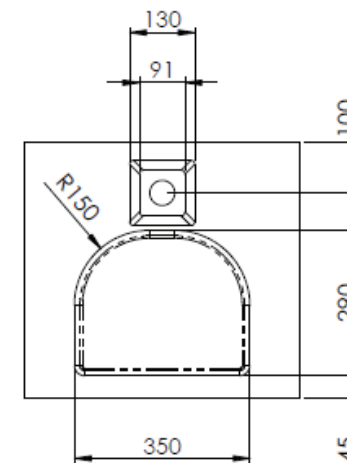
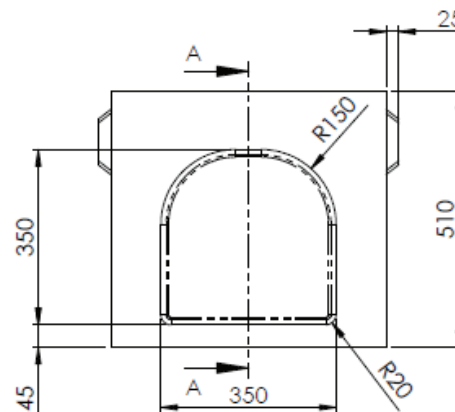
1. CONCRETE TO 32MPa(MIN) AT 28 DAYS
AGGREGATE: 10mm
SLUMP: 100mm
2. FOR REINFORCEMENT DETAILS REFER NEXT SHEET
3. MINIMUM COVER: 20mm
4. PLASTIC FIBRES (RAD485) TO BE ADDED AT 5.0kg PER CUBIC METRE OF CONCRETE



ISOMETRIC VIEW



SECTION A-A



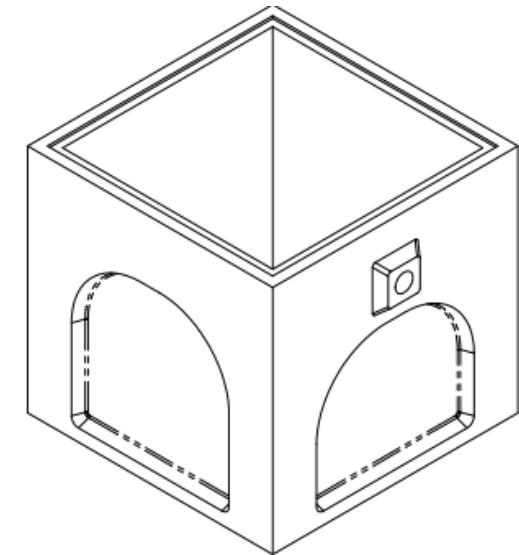
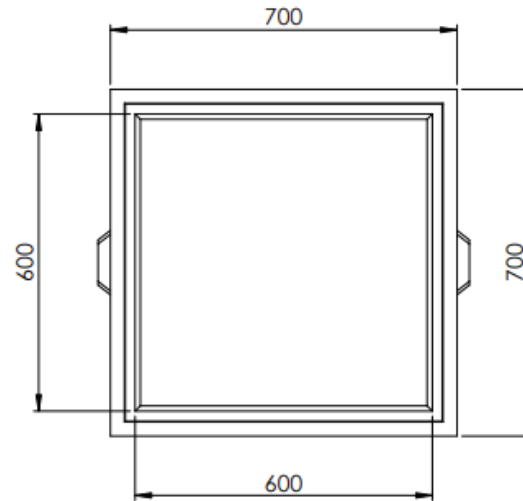
Concrete Field Gully Pits

SPEC PACK

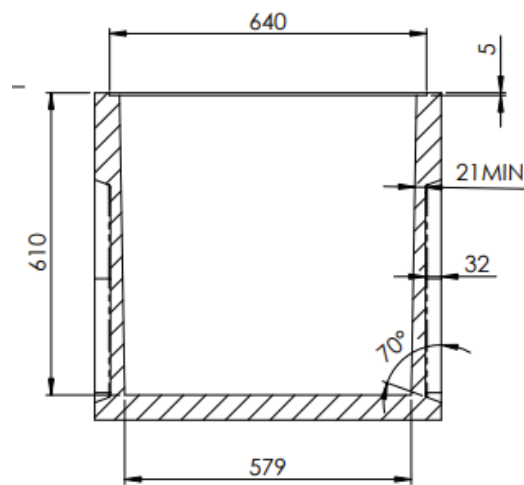
Concrete Field Gully Pits - 600 Specification Drawings

NOTES:

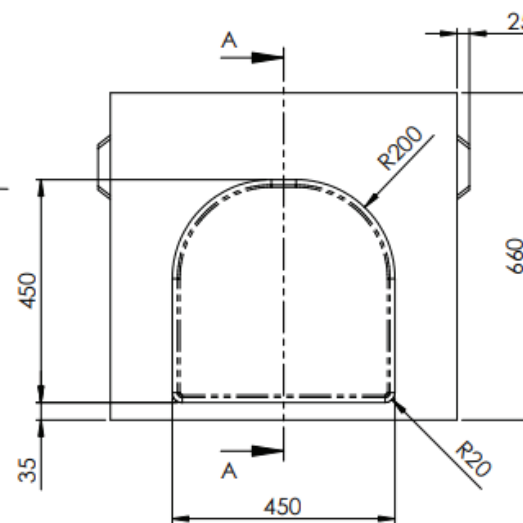
1. CONCRETE TO 32MPa(MIN) AT 28 DAYS
AGGREGATE: 10mm
SLUMP: 100mm
2. FOR REINFORCEMENT DETAILS REFER NEXT SHEET
3. MINIMUM COVER: 20mm
4. PLASTIC FIBRES (RAD485) TO BE ADDED AT 5.0kg PER CUBIC METRE OF CONCRETE



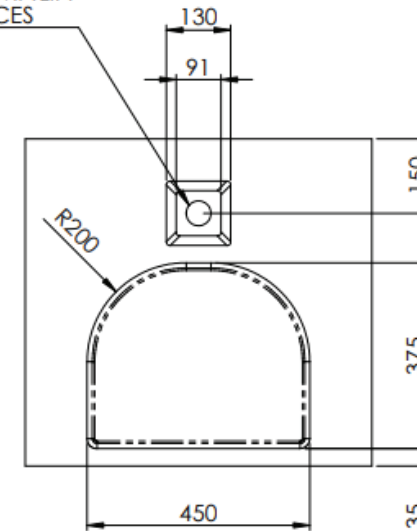
ISOMETRIC VIEW



SECTION A-A



1.3T SWIFTLIFT
2 PLACES



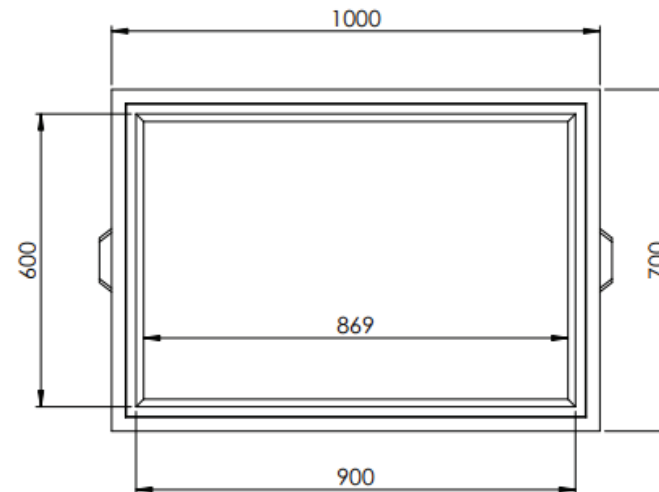
Concrete Field Gully Pits

SPEC PACK

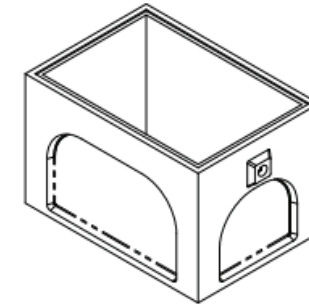
Concrete Field Gully Pits - 900 x 600 x 600 Specification Drawings

NOTES:

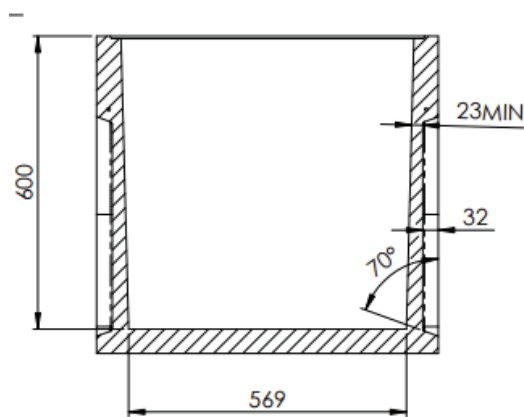
1. CONCRETE TO 32MPa(MIN) AT 28 DAYS
AGGREGATE: 10mm
SLUMP: 100mm
2. FOR REINFORCEMENT DETAILS REFER
NEXT SHEET
3. MINIMUM COVER: 20mm
4. PLASTIC FIBRES (RAD485) TO BE ADDED
AT 5.0kg PER CUBIC METRE OF
CONCRETE



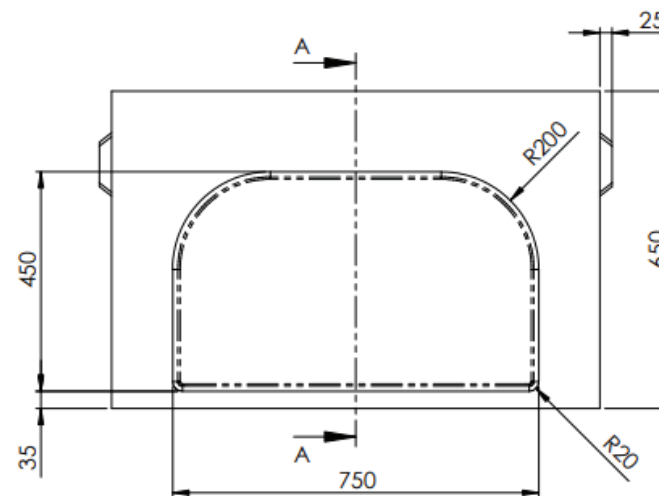
PLAN VIEW



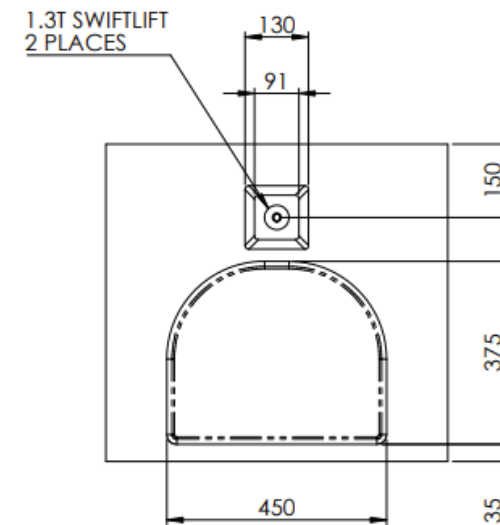
ISOMETRIC VIEW
SCALE 1 : 20



SECTION A-A



FRONT VIEW



RIGHT VIEW

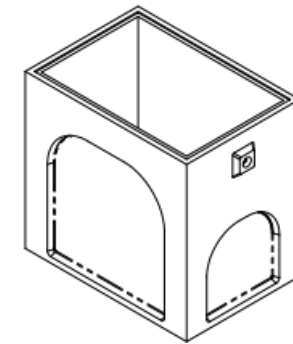
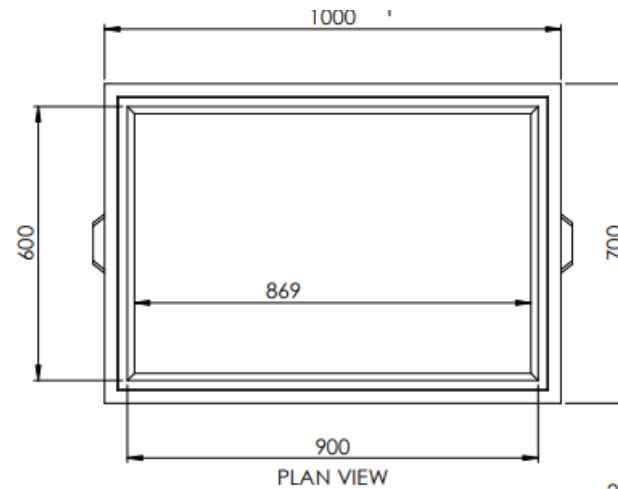
Concrete Field Gully Pits

SPEC PACK

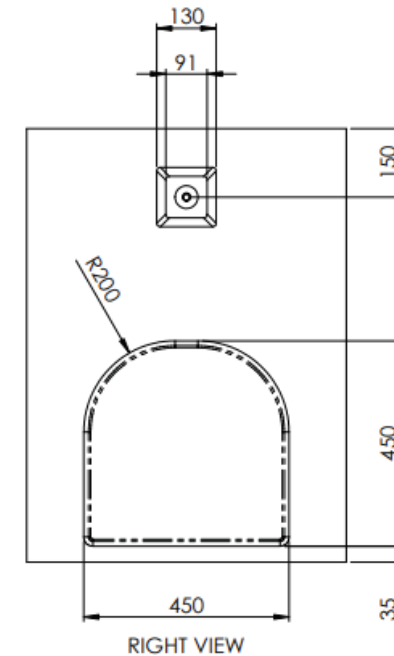
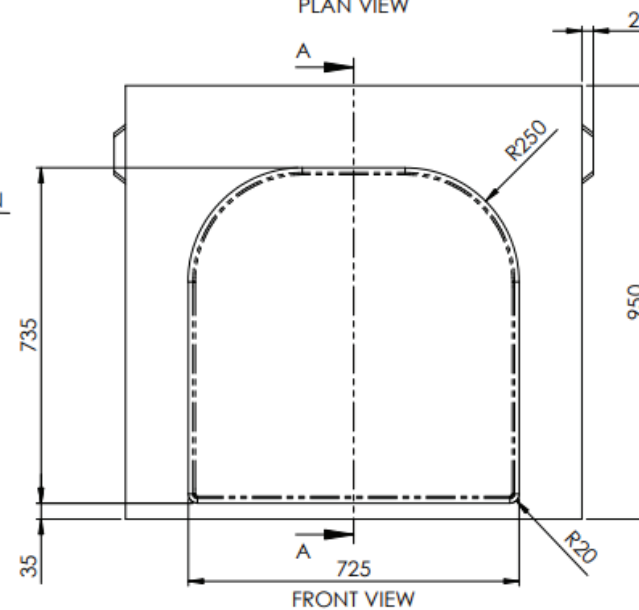
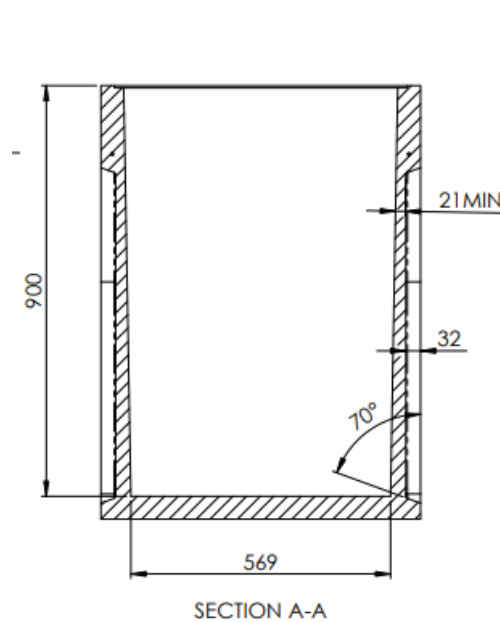
Concrete Field Gully Pits - 900 x 600 x 900 Specification Drawings

NOTES:

1. CONCRETE TO 32MPa(MIN) AT 28 DAYS
AGGREGATE: 10mm
SLUMP: 100mm
2. FOR REINFORCEMENT DETAILS REFER
NEXT SHEET
3. MINIMUM COVER: 20mm
4. PLASTIC FIBRES (RAD485) TO BE ADDED
AT 5.0kg PER CUBIC METRE OF
CONCRETE



ISOMETRIC VIEW
SCALE 1 : 20



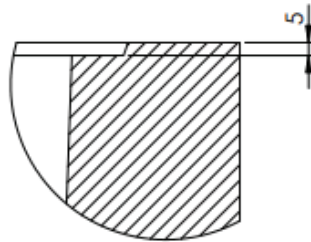
Concrete Field Gully Pits

SPEC PACK

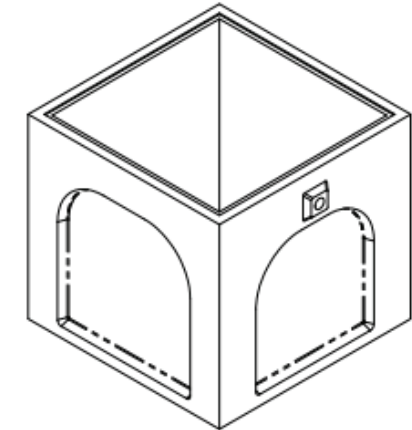
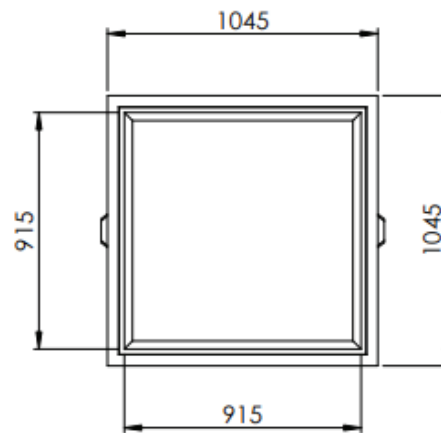
Concrete Field Gully Pits - 900 x 900 x 900 Specification Drawings

NOTES:

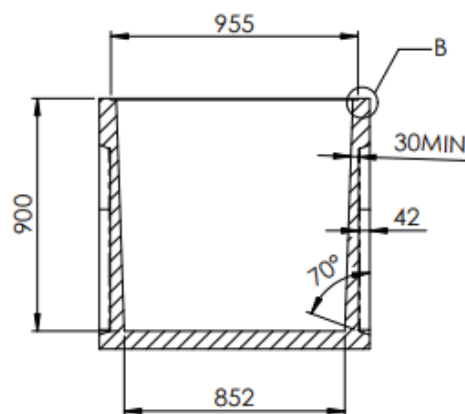
1. CONCRETE TO 32MPa (MIN) AT 28 DAYS
AGGREGATE: 10mm
SLUMP: 100mm
2. FOR REINFORCEMENT DETAILS REFER NEXT SHEET
3. MINIMUM COVER: 30mm
4. PLASTIC FIBRES (RAD485) TO BE ADDED AT 5.0kg PER CUBIC METRE OF CONCRETE



DETAIL B
SCALE 1 : 2



ISOMETRIC VIEW



SECTION A-A

