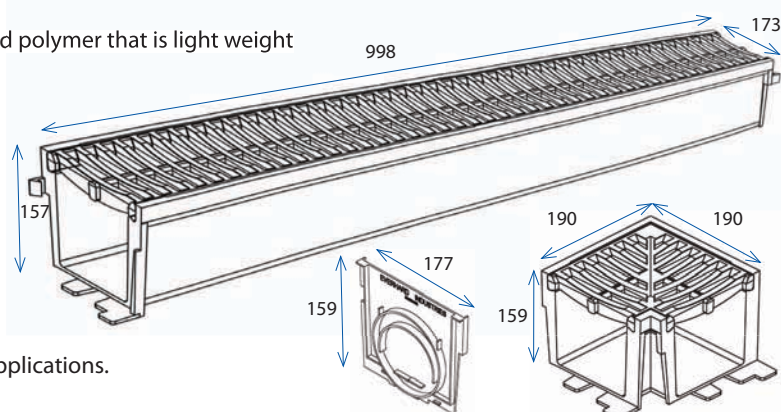


SURFACE WATER DRAINAGE

EVERDRAIN CHANNEL & GRATE

- Everdrain is made from strong and durable UV stabilised polymer that is light weight and easy to transport to any home or worksite.
- Rated for typical passenger vehicles up to 1.5 tonne wheel loads, when installed to manufacturer's installation instructions.
- Install it across driveways or eliminate surface water from paths, walkways, around pools, or adjacent to retaining walls. Perfect for entertaining areas.
- One person installation.
- Available in 1m and 3m lengths.
- Cast Iron Class D Grates are available for heavy traffic applications.
- 100% Australian Made



EVERDRAIN CHANNEL AND GRATE

Everdrain Channel and Grate Complete Black 1 metre		Everdrain Channel and Grate Complete Black 3 metre		Everdrain Complete Black Corner	
PRODUCT CODE		PRODUCT CODE		PRODUCT CODE	
84881		84898		84884	
WEIGHT (Kg)		WEIGHT (Kg)		WEIGHT (Kg)	
5.2	9 314319 007713	15.6	9 314319 019747	1.0	9 314319 007720
Everdrain U Channel Only Black 1 metre		Everdrain U Channel Only Black 3 metre		Everdrain End Cap Black	
PRODUCT CODE		PRODUCT CODE		PRODUCT CODE	
84882		84899		84887	
WEIGHT (Kg)		WEIGHT (Kg)		WEIGHT (Kg)	
3.6	9 314319 013004	10.8	9 314319 019969	0.1	9 314319 007737
Everdrain Black Grate Only		Everdrain Galvanised Steel Grate Only		Everdrain Cast Iron Grate Only	
PRODUCT CODE		PRODUCT CODE		PRODUCT CODE	
84883		96065		14874	
WEIGHT (Kg)		WEIGHT (Kg)		WEIGHT (Kg)	
1.6	9 314319 009991	6.7	9 314319 035051	12.5	9 314319 019952